

# Aerospect SPS 1000L Specification

## General

Post Height:	1196 mm (48 in) optional 1524 mm (60 in)
Arm Length:	457 mm and 610 mm (18 in and 24 in) optional 762 mm (30 in)
Granite:	1524 x 609.6 x 203.2 mm thick (60 x 24 x 8 in thick)
Worktable Height:	584 mm (23 in)
Machine Weight:	790 kg (1740 lbs)

## Air Bearing

Load Capacity:	454 kg (1000 lbs)
Radial/Axial accuracy:	0.125 $\mu$ m (5 $\mu$ in)
Tilt Error Motion (coning):	< 0.025 $\mu$ m/mm (< 1 $\mu$ in/in)

## Tilt & Center

Tilt Adjustment:	+/- 1°
Center Adjustment:	+/-3 mm (0.125 in)
Axis of Tilt:	95 mm (3.8 in) Above Worktable
Work Table Diameter:	455 mm (18 in) optional 500 mm, 605 mm (19.6 in, 24 in)

## Gage Heads (4- Std, 8- optional) \*

Cartridge Style:	0.375 in OD, +/- 1 mm (0.040 in) travel
Lever Style:	+/- 0.30 mm (+/-0.012 in) travel
Ultra Small:	+/- 0.25 mm (+/- 0.010 in) travel
Measurement resolution:	0.25 $\mu$ m (10 $\mu$ in)

## SPS 1000L

Low Profile Measurement and Stacking System.

Convenient working height for most medium thrust commercial turbines.

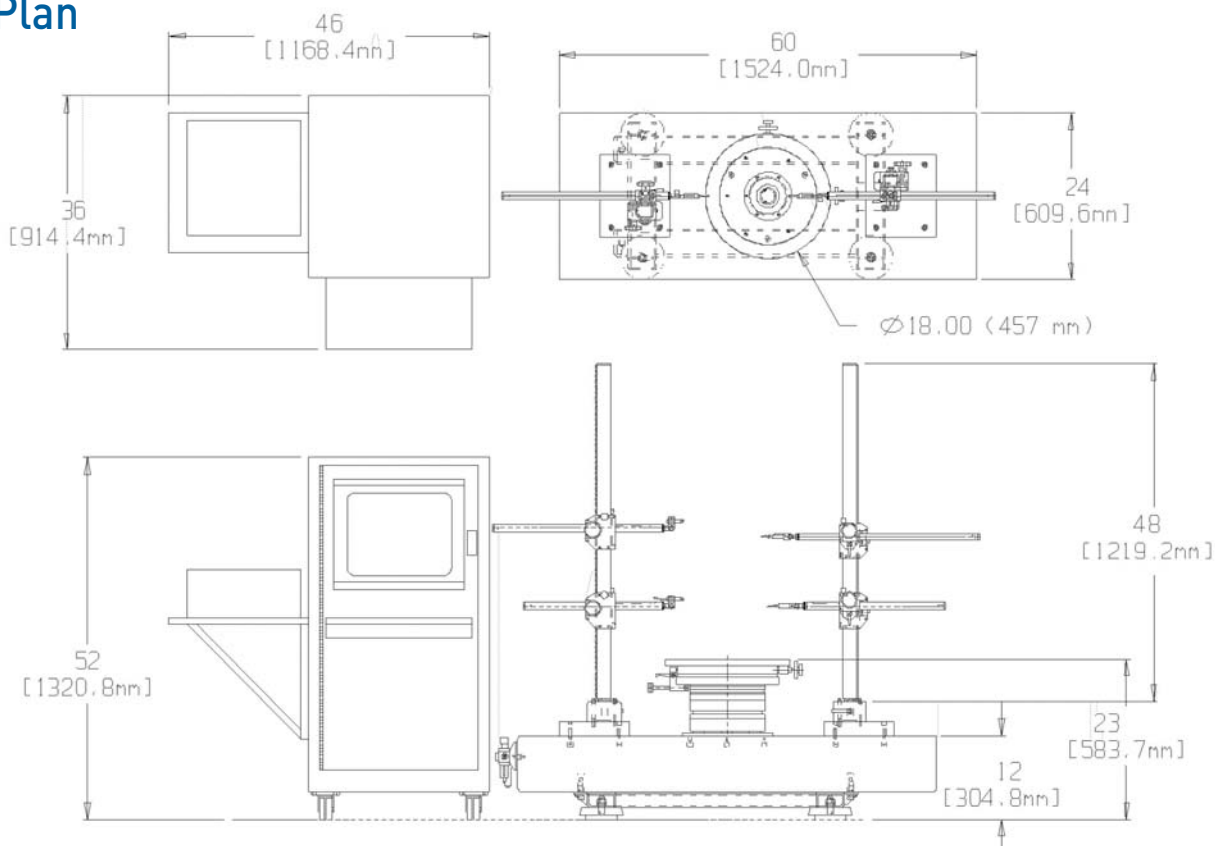


## Electrical

Encoder:	1000 line
Flat screen LCD Display	
Industrial Computer	
CE Approved	
Printer included	
Power:	120VAC-50/60hz or 220 VAC-50/60hz
Power Consumption:	500VA
Air Requirements:	Pressure: 50 – 80 psig
Air Usage:	1.5 scfm @ 60 psig, (42 l/min)
Electrical Cabinet Weight:	235 kg (515 lbs)

\*Note: Other Gage heads available upon request

## Floor Plan



NOTE: AMETEK Precitech pursues a policy of continual improvement due to technical developments. We therefore reserve the right to deviate from catalog specifications.

## Serving a global market

Taylor Hobson is world renowned as a manufacturer of precision measuring instruments used for inspection in research and production facilities. Our equipment performs at nanometric levels of resolution and accuracy.

To complement our precision manufacturing capability we also offer a host of metrology support services to provide our customers with complete solutions to their measuring needs and total confidence in their results.

### Contracted Services from Taylor Hobson

- Inspection services**  
 measurement of your production parts by skilled technicians using industry leading instruments in accord with ISO standards
- Metrology training**  
 practical, hands-on training courses for roundness and surface finish conducted by experienced metrologists
- Operator training**  
 on-site instruction will lead to greater proficiency and higher productivity
- UKAS Calibration and Testing**  
 certification for artifacts or instruments in our laboratory or at customer's site

### For the above services, contact our Center of Excellence:

email: [taylor-hobson.cofe@ametec.com](mailto:taylor-hobson.cofe@ametec.com)  
 or call: +44 116 276 3779

- Design engineering**  
 special purpose, dedicated metrology systems for demanding applications
- Precision manufacturing**  
 contract machining services for high precision applications and industries
- Preventative maintenance**  
 protect your metrology investment with a Talycare service cover plan

### For the above services, contact our Sales Department:

email: [taylor-hobson.sales@ametec.com](mailto:taylor-hobson.sales@ametec.com)  
 or call: +44 116 246 3034



0026



TAYLOR HOBSON  
A8248 ISO9001

### Taylor Hobson France

Rond Point de l'Epine Champs  
 Batiment D, 78990 Elancourt, France  
 Tel: +33 130 68 89 30 Fax: +33 130 68 89 39  
[taylor-hobson.france@ametec.com](mailto:taylor-hobson.france@ametec.com)



### Taylor Hobson Germany

Postfach 4827, Kreuzberger Ring 6  
 65205 Wiesbaden, Germany  
 Tel: +49 611 973040 Fax: +49 611 97304600  
[taylor-hobson.germany@ametec.com](mailto:taylor-hobson.germany@ametec.com)



### Taylor Hobson Italy

Via De Barzi  
 20087 Robecco sul Naviglio, Milan, Italy  
 Tel: +39 02 946 93406 Fax: +39 02 946 93450  
[taylor-hobson.italy@ametec.com](mailto:taylor-hobson.italy@ametec.com)



### Taylor Hobson Japan

Sankyo Meguro Building 4-5-37,  
 Kamiosaki, Shinagawa-Ku, Tokyo 141-0021, Japan  
 Tel: +81 33494 5110 Fax: +81 33494 5119  
[taylor-hobson.japan@ametec.com](mailto:taylor-hobson.japan@ametec.com)



### Taylor Hobson Korea

Hungkuk Life Building, 5th Floor 6-7, Soonae Dong  
 Pundang-Ku, Seongnam, Kyungki-Do, 463-020, Korea  
 Tel: +82 31 713 1371 Fax: +82 31 713 1372  
[taylor-hobson.korea@ametec.com](mailto:taylor-hobson.korea@ametec.com)



### Taylor Hobson China Beijing Office

Room 2305, CITIC Building #19  
 Jianguomenwai Dajie, Beijing, 100004, China  
 Tel: +00 86 10 8526 2111 Fax: +00 86 10 8526 2141  
[taylor-hobson.beijing@ametec.com](mailto:taylor-hobson.beijing@ametec.com)



### Taylor Hobson China Shanghai Office

Part A, 1<sup>st</sup> Floor, Waigaoqiao Free Trade Zone  
 Shanghai, 200131, China  
 Tel: +00 86 21 58685111-110 Fax: +00 86 21 58680969-110  
[taylor-hobson.shanghai@ametec.com](mailto:taylor-hobson.shanghai@ametec.com)



### Taylor Hobson Singapore

AMETEK Singapore, 10 Ang Mo Kio Street 65  
 No. 05-12 Techpoint, Singapore 569059  
 Tel: +65 6484 2388 Ext 120  
[taylor-hobson.singapore@ametec.com](mailto:taylor-hobson.singapore@ametec.com)



### Taylor Hobson USA

1725 Western Drive  
 West Chicago, Illinois 60185, USA  
 Tel: +1 630 621 3099 Fax: +1 630 231 1739  
[taylor-hobson.usa@ametec.com](mailto:taylor-hobson.usa@ametec.com)



### Taylor Hobson UK

(Global Headquarters)  
 PO Box 36, 2 New Star Road  
 Leicester, LE4 9JQ, England  
 Tel: +44 116 276 3771 Fax: +44 116 246 0579  
 email: [taylor-hobson.uk@ametec.com](mailto:taylor-hobson.uk@ametec.com)

